

Fireriser® Butterfly Valve

Wafer Type 300PSI

Fig No.:FPB-300W

Valve Standard:

Conforms to MISS SP67 /BS EN593:2009

Working pressure:

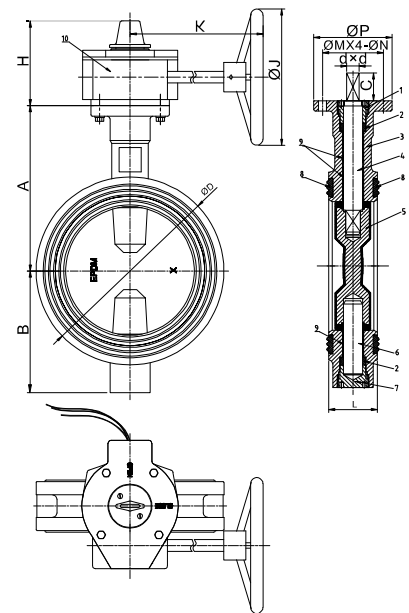
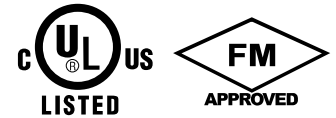
300 PSI (21 Bars)-Non Shock Coldwater
Max. Test Pressure: 600 PSI (42.8 Bars)

Temperature:

from -20 ° C to 110° C

Universal wafer Type Butterfly Valve Suitable for
Connecting to ANSI B 16 Class 125, ISO 2084/Din 2501
PN 16 & BS 4504 PN 16 Flanges

Factory installed UL, listed double Tamper Switches
Valve Approved For Indoor and Outdoor Use
Fusion Bonded Epoxy Coated Interior and Exterior RAL3000



Materials List

Name	Material
Signal Gearbox	Ductile Iron ASTM A536 65-45-12
End Face Seal	EPDM
Lower Shaft Sealing Nut	WCB ASTM A216
Lower Shaft	Stainless Steel SS416
Disc	DI+EPDM
Upper Shaft	Stainless Steel SS416
Body	Ductile Iron ASTM A536 65-45-12
Shaft Seal	EPDM
Upper Shaft Sealing Nut	WCB ASTM A216

Dimensions(inch/mm):

Size	A	B	C	D	H	K	J	P	M	N	d	L
2.5"	125	95	32	112	111	218	152	90	70	9	10	44.2
3"	140	100	32	120	111	218	152	90	70	9	11	45.3
4"	160	100	32	165	111	218	152	90	70	9	14	52
5"	170	125	32	182	111	218	152	90	70	9	14	54.4
6"	190	140	32	216	111	218	200	90	70	9	16	55.8
8"	230	175	32	260	126	232	290	125	102	12	19	60.5
10"	260	200	45	320	126	232	290	125	102	12	22	66.5
12"	300	240	45	375	161	252	350	150	125	14	24	76.9

Net Weight (kg) and Crate Qty (pcs)

Size	2.5"/65	3"/80	4"/100	5"/125	6"/150	8"/200	10"/250	12"/300
N.W.	8.70	8.80	10.80	12.00	14.60	26.70	33.70	62.10
Crate Qty	30	25	25	18	18	9	5	3

Notes:

UL Listed All Sizes 2-1/2" to 8" FM Approved and 10" to 12" Pending

Fivalco® and Fireriser® are Registered Trade Marks

Copyright Fivalco 2000