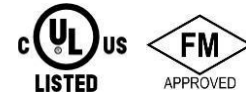


Style CVG01 Std.Swing Check Valve, Grooved-End

Description

Style CVG01 Grooved-end Swing Check Valve provided by Fivalco™ is a product developed under innovative engineering and rich experiences. CVG01 is an UL/cUL listed and FM approved non-return valve which permits water flow in one direction and prevents flow in reverse direction. This function is realized by a spring loaded stainless steel clapper with an EPDM rubber facing and an broadened bronze seat, to provide a long service lime and leak-free sealing. It is widely used with various configurations in fire sprinkler systems, fire department connections, gravity pressure tank or by-pass connections etc.

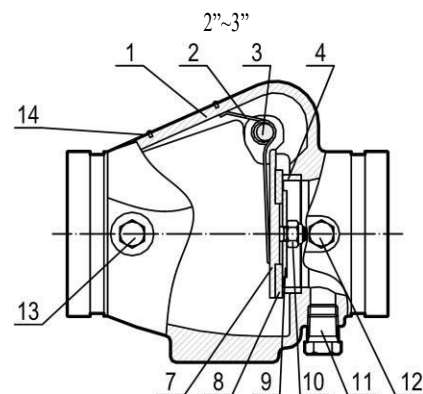
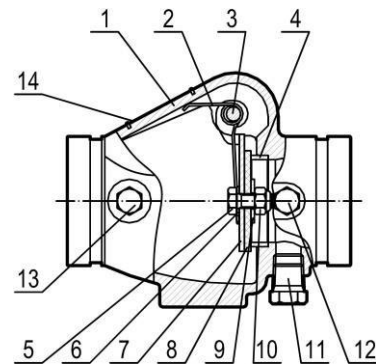


Product features

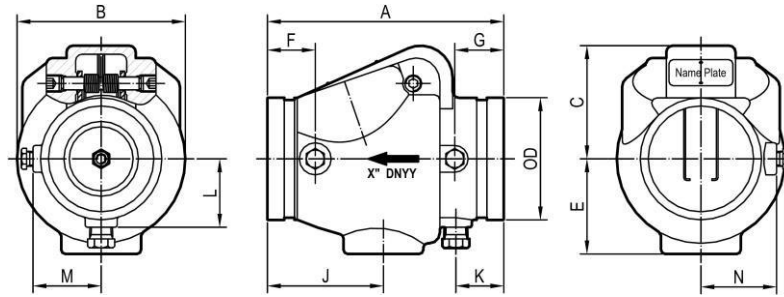
- ❑ Rated working pressure 365psi/25bars by UL/ULC listing and FM approval;
- ❑ Can be installed in both vertical (upward flow only) and horizontal positions;
- ❑ One design with “Shotgun” arrangement;
- ❑ Drains can be optionally provided both upstream and downstream of the clapper;
- ❑ Innovative hydro-dynamically efficient profile lowers pressure drop;
- ❑ Sealing achieved by a low head pressure of 0.15bar/2psi;
- ❑ All wetted parts made by anti-corrosion material to provide superior service time;
- ❑ Grooved end conforming to AWWA C606 for easy installation and maintenance.

Material Specifications

PART	SPECIFICATION
1. Body	Ductile Iron ASTM A 536
2. Spring	Stainless Steel 304
3. Hinge Pin	Stainless Steel 304
4. Seat	Bronze
5. Bolt	Stainless Steel 304 (2”~3”)
6. Gasket	EPDM Rubber (2”~3”)
7. Clapper	CF8 (Stainless Steel 304)
8. Facing Seal	EPDM Rubber
9. Clamping Ring	Stainless Steel 304
10. Locknut	Stainless Steel 304
11. Plug 1/2” NPT	Carbon Steel
12. Plug 1/4” NPT	Carbon Steel
13. Plug 1/4” NPT	Carbon Steel (1/2”NPT optional)
14. Name Plate	Stainless Steel 304



4”~8”



Dimension

Product No.	SIZE	OD	A	B	C	E	F	G	J	K	L	M	N	Wt.
	DN	mm	mm	mm	mm	mm	mm	mm	mm	mm	mm	mm	mm	kg
	In.	In.	In.	In.	In.	In.	In.	In.	In.	In.	In.	In.	In.	Lbs.
CVG01	50	60.3	170	100	72	60	43	44	79	43	38	38	47	2.5
	2	2.375	6.70	3.94	2.83	2.36	1.70	1.73	3.11	1.70	1.50	1.50	1.85	5.5
CVG01	65	73.0	184	114	78	67	43	44	85	43	45	45	51	3.8
	2½	2.875	7.25	4.50	3.07	2.64	1.70	1.73	3.35	1.70	1.77	1.77	2.00	8.4
CVG01	80	88.9	196	128	88	73	43	44	94	43	51	51	57	5.2
	3	3.500	7.72	5.04	3.46	2.87	1.70	1.73	3.70	1.70	2.00	2.00	2.25	11.5
CVG01	100	114.3	222	158	106	89	45	46	109	45	64	64	71	8.6
	4	4.500	8.75	6.22	4.17	3.50	1.77	1.81	4.29	1.77	2.52	2.52	2.80	18.9
CVG01	150	168.3	270	220	129	119	45	46	144	45	91	91	96	17.4
	6	6.625	10.63	8.66	5.08	4.69	1.77	1.81	5.67	1.77	3.58	3.58	3.78	38.3
CVG01	200	219.1	330	274	152	146	51	54	182	52	116	116	120	32.0
	8	8.625	13.00	10.80	6.00	5.75	2.00	2.13	7.17	2.05	4.57	4.57	4.72	70.5

Check Valve Performance Date

Formulas for K_v Values

$$-P = \frac{Q^2}{K_v^2} \quad Q = K_v \sqrt{-P}$$

Formulas for C_v Values

$$-P = \frac{Q^2}{C_v^2} \quad Q = C_v \sqrt{-P}$$

Where: Q □ Flow rate (gallons per minute: M³/h)

Where: Q □ Flow rate (gallons per minute: GPM)

□ P □ Pressure drop across valve (bar)

□ P □ Pressure drop across valve (PSI)

K_v □ Flow coefficient

C_v □ Flow coefficient

Nominal Size	Pipe O.D.	(Full Open)	Nominal Size	Pipe O.D.	(Full Open)	Nominal Size	Pipe O.D.	(Full Open)
DN	mm	K_v	DN	mm	K_v	DN	mm	K_v
In.	In.	C_v	In.	In.	C_v	In.	In.	C_v
50	60.3	95	100	114.3	380	150	165.1	864
2	2.375	110	4	4.500	440	6½OD	6.500	1000
65	73.0	138	125	139.7	605	150	168.3	864
2½	2.875	160	5½OD	5.500	700	6	6.625	1000
65	76.1	138	125	141.3	605	200A	216.3	1555
3OD	3.000	160	5	5.563	700	JIS 8	8.515	1800
80	88.9	216				200	219.1	1555
3	3.500	250				8	8.625	1800

The chart below expresses the flow of water at 16°C /60°F through valve.

